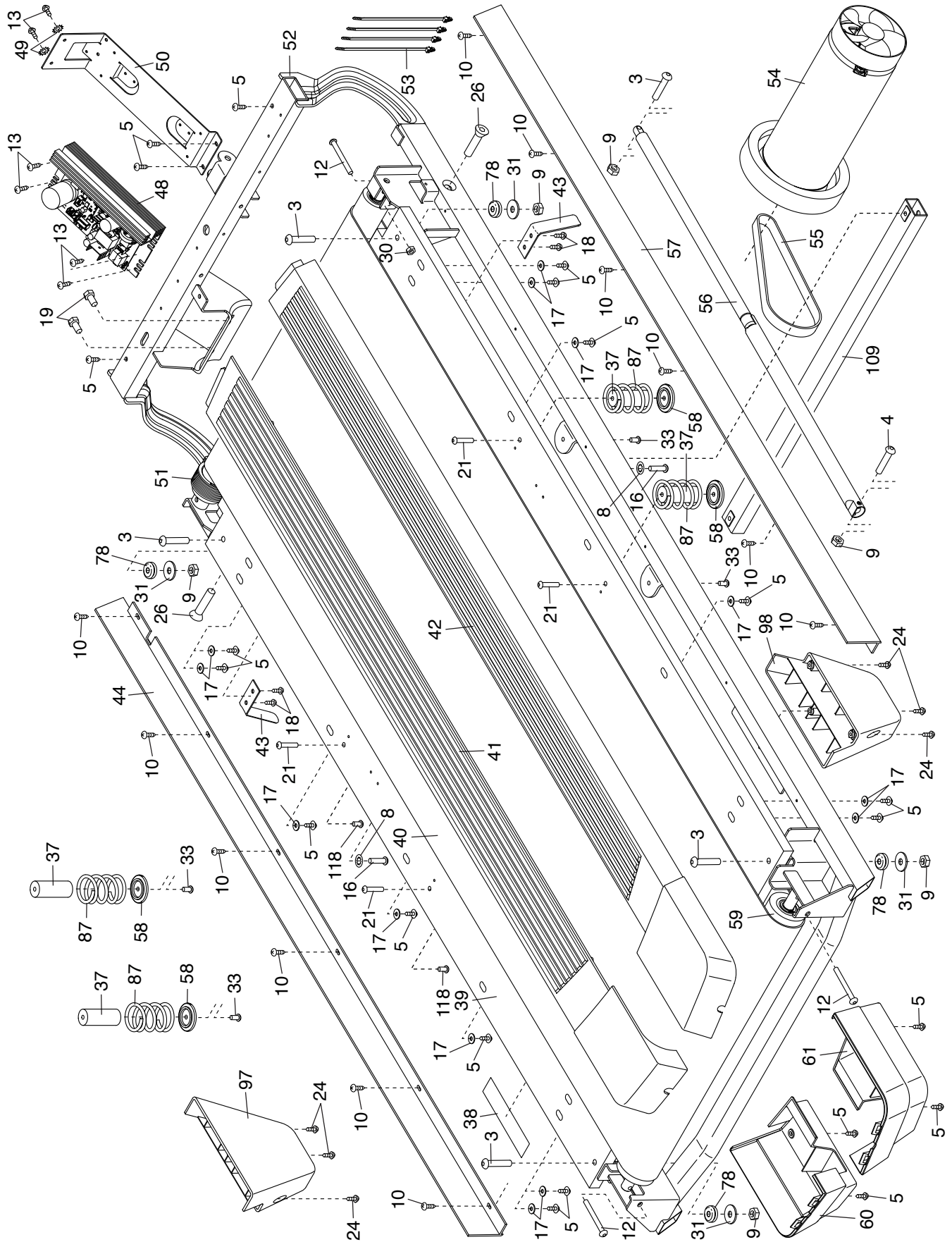


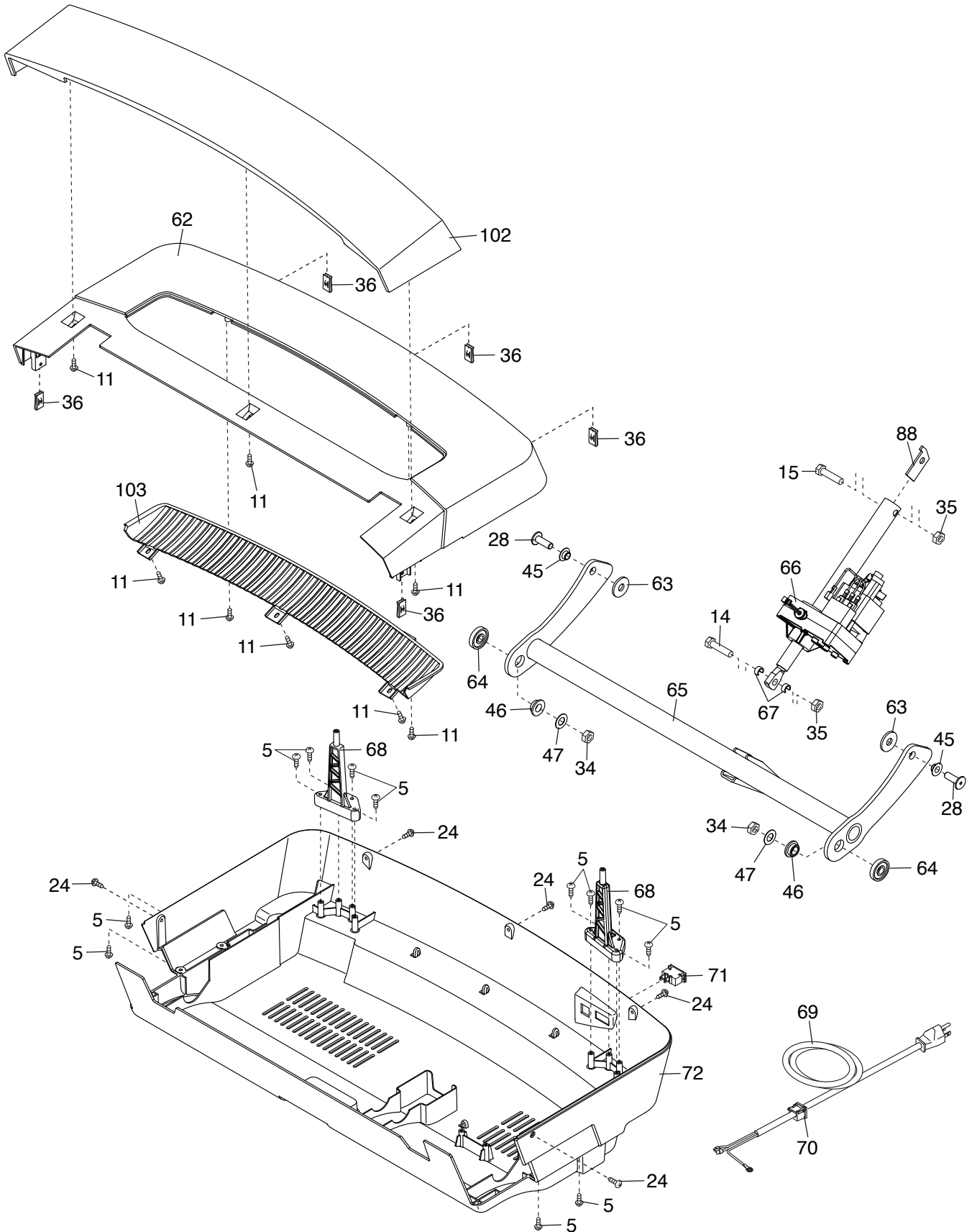
EXPLODED DRAWING A

Model No. NTL14209.0 R0518A



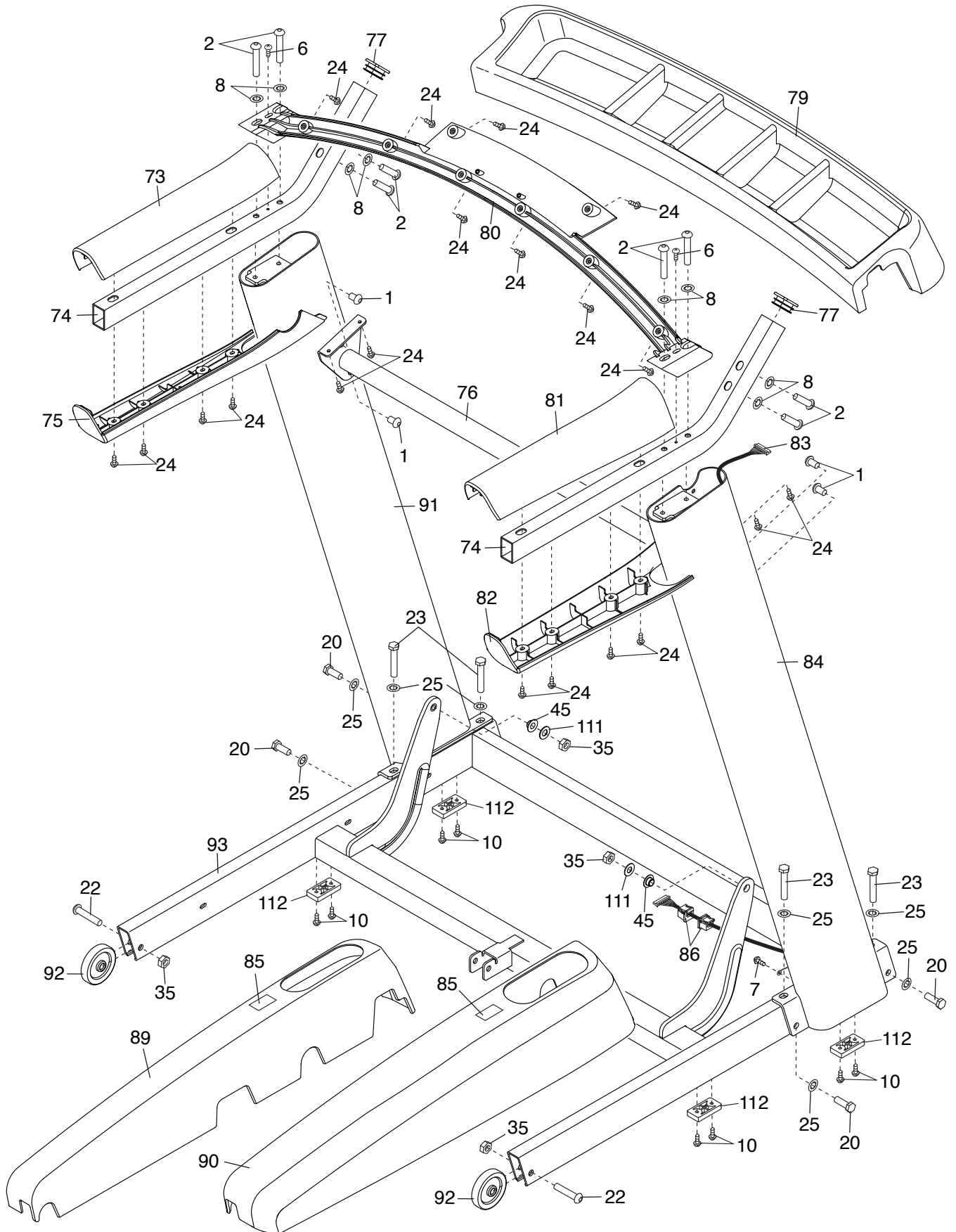
EXPLODED DRAWING B

Model No. NTL14209.0 R0518A



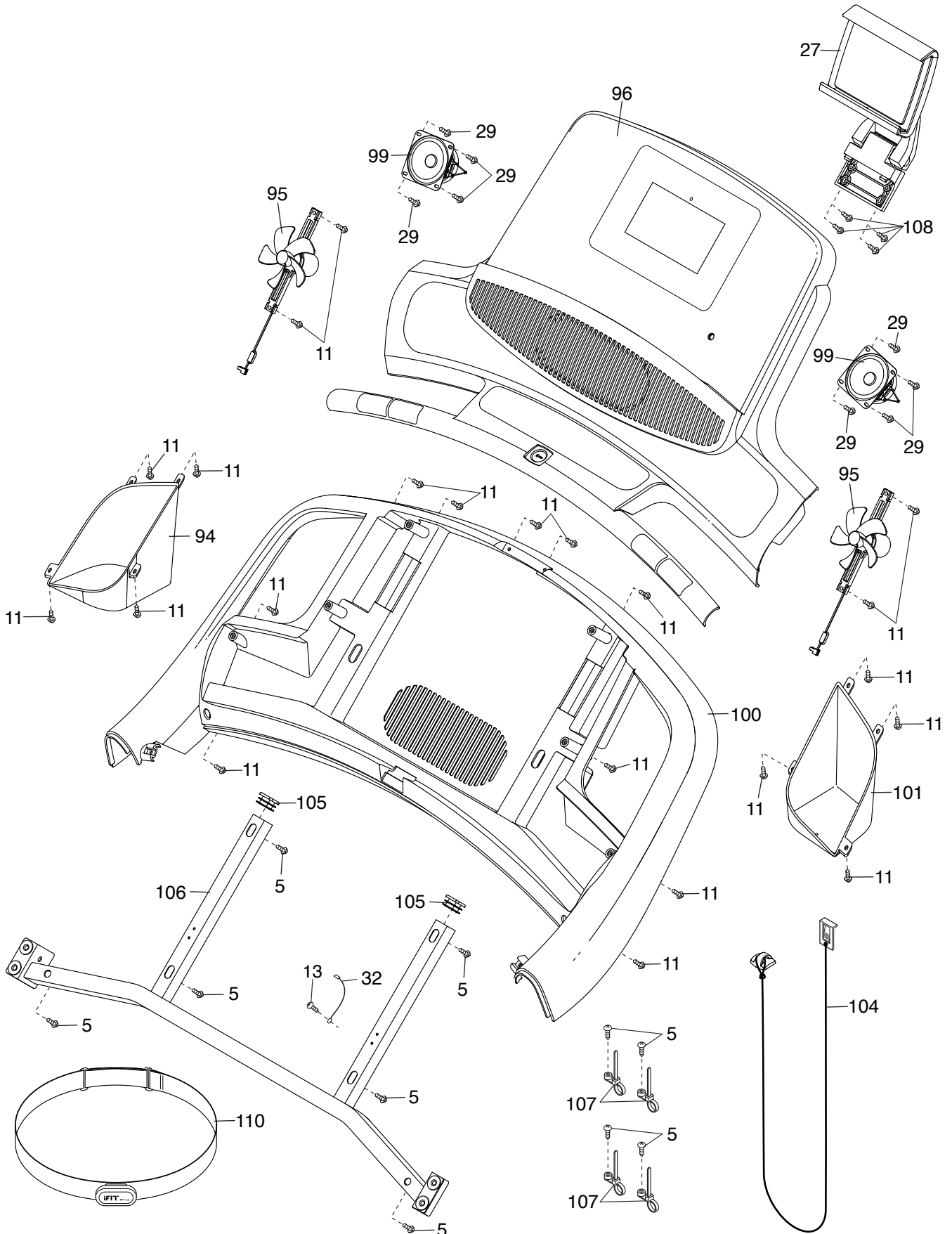
EXPLODED DRAWING C

Model No. NTL14209.0 R0518A



EXPLODED DRAWING D

Model No. NTL14209.0 R0518A



Bubble #	OEM Number	Description
1	295136	5/16" X 3/4" SCREW
2	203283	5/16" X 2" SCREW
3	298484	5/16" X 1 3/4" BOLT
4	349213	5/16" X 2 1/4" BOLT
5	13322	#8 X 3/4" SCREW
6	167049	#10 X 3/4" SCREW
8	14149	5/16" STAR WASHER
9	100427	5/16" NUT
10	13300	#8 X 3/4" TEK SCREW
11	13576	#8 X 1/2" SCREW
12	364027	1/4" X 2 1/2" SCREW
13	186819	#8 X 1/2" MACHINE SCREW
14	346519	3/8" X 1 1/2" BOLT
16	269380	5/16" X 1 1/4" SCREW
18	136728	#8 BELT GUIDE SCREW
19	295758	5/16" MOTOR BOLT
20	181979	3/8" X 1 1/4" SCREW
21	169660	1/4" X 1 1/4" SCREW
22	381122	3/8" X 1 3/4" BOLT
23	341769	3/8" X 2 3/4" SCREW
24	13607	#8 X 3/4" TRUSS HD SCREW
25	163045	3/8" STAR WASHER
26	377002	1/2" X 2" BOLT
27	398534	TABLET HOLDER
28	384997	3/8" X 1" SCREW
29	13509	#6 X 3/8" SCREW
30	121576	1/4" NUT
31	152478	5/16" FLAT WASHER
32	215822	CONSOLE GROUND WIRE
33	131483	1/4" X 3/4" SCREW
34	100553	1/2" NUT
35	119425	3/8" NUT
36	133333	HOOD CLIP
37	360945	CUSHION
38	305284	WARNING DECAL
39	395777	WALKING PLATFORM
40	403357	WALKING BELT
41	395587	LEFT FOOT RAIL
42	395784	RIGHT FOOT RAIL
43	399477	BELT GUIDE, SET OF 2
45	372092	3/8" PLASTIC BUSHING
46	372108	1/2" PLASTIC BUSHING
47	129144	1/2" THRUST WASHER
48	400654	CONTROLLER
49	14157	#8 STAR WASHER
50	395460	CONTROLLER BRACKET

51	352011	DRIVE ROLLER/PULLEY
53	240351	TIE
54	405597	DRIVE MOTOR
55	342218	MOTOR BELT
56	388199	STORAGE LATCH
58	360938	CUSHION PLATE
59	223662	IDLER ROLLER
60	395589	LEFT REAR CAP
61	395588	RIGHT REAR CAP
62	395776	MOTOR HOOD
63	372106	INCLINE FRAME SPACER
64	301336	FRAME SPACER
65	394999	INCLINE FRAME
66	319254	INCLINE MOTOR
67	114078	INCLINE MOTOR SPACER
68	265134	HOOD MOUNT
70	173169	POWER CORD GROMMET
71	186726	POWER SWITCH
72	395006	BELLY PAN
73	385214	LEFT HANDRAIL TOP COVER
74	357773	HANDRAIL
75	385215	LEFT HANDRAIL BOTTOM CVR
76	351467	UPRIGHT CROSSBAR
77	104794	CONSOLE FRAME CAP
78	298474	RUBBER CUSHION
79	351687	TRAY
80	385210	PULSE CROSSBAR
81	385212	RIGHT HANDRAIL TOP COVER
82	385211	RIGHT HANDRAIL BOTTOM CVR
83	383788	UPRIGHT WIRE
84	386468	RIGHT UPRIGHT
85	252433	CAUTION DECAL
86	227199	UPRIGHT GROMMET
87	319487	CUSHION SPRING
89	382319	LEFT BASE COVER
90	382318	RIGHT BASE COVER
91	383741	LEFT UPRIGHT
92	382172	REAR WHEEL
93	395002	BASE
94	385326	LEFT TRAY
95	360585	FAN
97	395005	LEFT REAR FOOT
99	353430	SPEAKER
100	385328	CONSOLE BASE
101	385327	RIGHT TRAY
102	395250	HOOD ACCENT
103	395249	HOOD GRILL

104	298898	KEY/CLIP
105	186253	CONSOLE FRAME CAP
106	384809	CONSOLE FRAME
107	132315	CABLE TIE
108	184369	M4 X 16MM SCREW
109	395019	LATCH CROSSBAR
110	364361	CHEST HEART RATE MONITOR
111	102973	3/8" THRUST WASHER
112	301345	BASE PAD
#	16057	8" CABLE TIE
#	116566	15 1/2" CABLE TIE
#	146119	FLOOR MAT
#	209460	ALLEN WRENCH
#	215823	AUDIO WIRE
#	219168	1 TUBE LUBE KIT
#	219170	3 TUBE LUBE KIT
#	268476	DECAL, GROUND WARNING
#	286707	INCLN MTR SENSOR WIRE KIT
#	316650	8" CABLE TIE, 50 LB
#	330165	DECAL,REWRK,OVERLAY SHEET
#	331708	BLYPN BUMPON
#	356520	ACCESSORY KIT
#	367244	DECAL,REWORK SHEET,FCA
#	385462	HARDWARE KIT NOTE:
#	402932	USER'S MANUAL
15A	399015	3/8" X 1 3/4" BOLT, NOTE:
15B	141262	SPACER, NOTE:
69A	31229	POWER CORD
69B	251086	POWER CORD,FCA
88B	304347	INCLINE STOP BRACKET
96A	401728	CONSOLE
96B	395788	CNSL REPROG THUMB DRIVE
TS11	189813	6" FILTER W/ WIRE
TS14	102634	8" GREEN WIRE
TS4	214773	6" GREEN WIRE, F/R
TS6	211260	12" WIRE HRNS
TS7	101896	4" WHITE WIRE, M/F